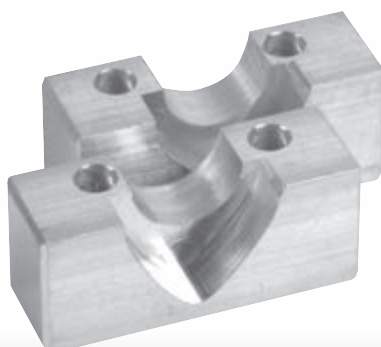


These camshaft alignment blocks are used on both inlet and exhaust camshafts. The correct position of these tools is important. Normally the plain face of the tool faces the flywheel. The tool replaces the bearing cap and the camshaft and cylinder number is clearly labelled. Many of the Fiat engines use the same crankshaft locking tools but different camshaft locking blocks. If you have our master kit you only have to add these 2 blocks to cover these engines.

Z-3635**Petrol Camshaft Locking Blocks**

These CNC machined special camshaft locking blocks are designed specifically for the 2.4 | 2.0 Stilo petrol engines with the codes shown.



Inlet **Exhaust**
3cyl - J1 2cyl - J2

Applications

Stilo 2.4 | 2.0 petrol engine codes 192A.000 | 841E.000
841D.000 (2001 - 2009)

For full vehicle application and other tools required go to: www.lasertools.co.uk/toolpoint

For



PETROL

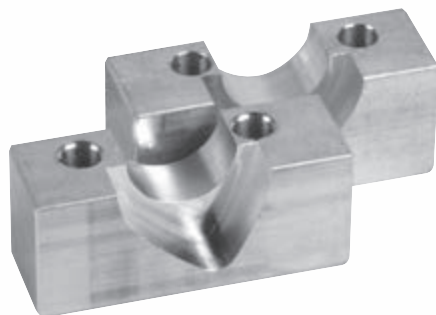
BELT
DRIVEN

Component Codes

Code	OEM Ref	Description
C141	1 870 828 000	Camshaft Alignment Tool (2)

Z-3632**Petrol Camshaft Locking Blocks**

These CNC machined camshaft locking blocks are designed specifically for the 2.4 | 2.0 petrol engines with the codes shown.



Inlet **Exhaust**
3cyl - F2 2cyl - F1

Applications

Bravo | Coupe | Marea | Marea Weekend | Marengo 2.0 20v
petrol engines codes 175A3.000 | 182A1.000 | 182B3.000
182B7.000 (non turbo) (1995 - 2001)

For full vehicle application and other tools required go to: www.lasertools.co.uk/toolpoint

For



PETROL

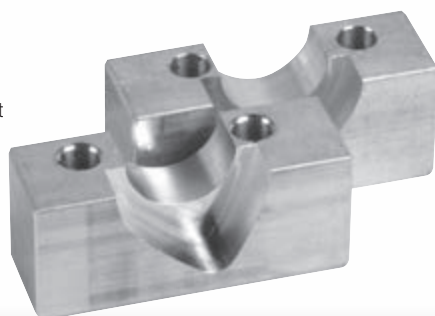
BELT
DRIVEN

Component Codes

Code	OEM Ref	Description
C138	1 860 892 000	Camshaft Alignment Tool (2)

Z-3636**Petrol Camshaft Locking Blocks**

These CNC machined camshaft locking blocks are designed specifically for the 2.0 Turbo petrol engines with the code shown.



Inlet **Exhaust**
3cyl - K1 2cyl - K2

Applications

Coupe 2.0 20v Turbo with Engine Code 182B7.000 (1996 - 2001)

For full vehicle application and other tools required go to: www.lasertools.co.uk/toolpoint

For



PETROL

BELT
DRIVEN

Component Codes

Code	OEM Ref	Description
C142	1 860 962 000	Camshaft Alignment Tool (2)