

Z-3785

Applications

Agila A | B | Ascona C | Astra F | G | H | Belmont | Cavalier | Corsa B | C | D
 Frontera A | B | Tigra A | B | Meriva | Midi | Nova | Vectra A | B | C | Zafira A | B
 (1986 to 2010)

For full vehicle application and other tools required go to:
www.lasertools.co.uk/toolpoint

For



PETROL



DIESEL

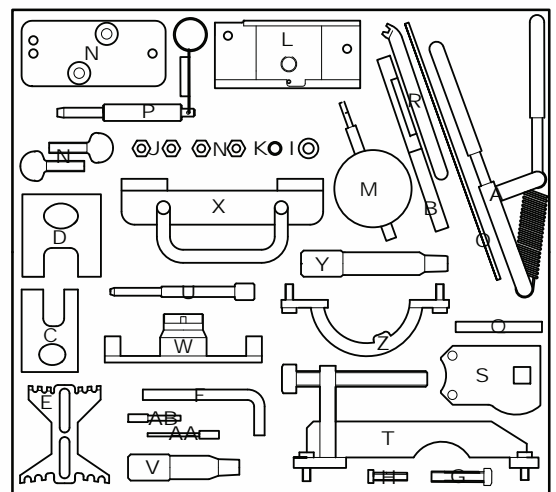


BELT
DRIVEN



**METAL
CASE!
AVAILABLE**
PART NO 4553

Also used on:
Saab



Component Codes

*Available Separately

ID	Code	OEM Ref	Description	ID	Code	OEM Ref	Description
A	C205	KM666	Timing Belt Tensioner	Q	C167	KM911	Flywheel Locking Tool (Part No. 3776)*
B	C207	KM852	Camshaft Setting Bracket (Part No. 3108)*	R	C168	KM933	Flywheel Locking Tool
C	C211	KM853	Camshaft Locking Tool	S	C169	KM933	Timing Adjustment Wrench
D	C212	KM517B	Camshaft Locking Tool	T	C170	KM927	Bracket for Timing Adjustment Wrench
E	C213	KM 6011	Flywheel Locking Tool	U	C171	KM929	Injection Pump Setting Pin
F	C053	Locking Screw	Flywheel Locking Pin Ø 9,5 mm	V	C172	KM932	Flywheel Locking Pin
G	C064	Locking Screw	M8 x 40mm	W	C173	KM953	Camshaft Locking Tool
H	C067	KM 661-1	M8 x 35mm	X	C174	KM952	Camshaft Locking Tool
I-L	C071	KM 571-B	Camshaft Locking Tool	Y	C175	KM954	Flywheel Locking Pin
M	C195	KM 661-2	Dial Test Indicator 51 Dia. x 10 x 0,01 mm	Z	C176	KM955	Camshaft Position (CMP) Sensor Disc Setting Tool
N	C163	KM 851	Camshaft Position Locking Tool	AA	C177	KM955	Tensioner Retaining Pin 2.5 mm. Dia.
O	C165	KM951	Flywheel TDC Indicator	AB	C178	KM955	Tensioner Retaining Pin 4.0 mm. Dia.
P	C166	KM652	Flywheel Locking Pin				